



SWIMMING POOL PRODUCTS

STAGNUM | BECKEN | FRP Prefabricated Pool



STAGNUM

SM Series Side Mount Filter (SM 450 - SM 1200)

Swimming pool bobbin wound pool filters are manufactured with high grade fibre glass and isophthalic resin. These filters are heavy duty and combine the world's best filtration technology. Pool filters series are designed as high rate pool filtration system and manufactured using the highest grade of fibreglass composite material. These pool filters have high strength and are durable.



Features

- ◆ Filter made of fiberglass and polyester resin with bobbin wound.
- ◆ Top diffuser ensures even distribution of water over top of the sand bed.
- ◆ Air release valve enables easy release of trapped air during operation of the filter.
- ◆ Materials used are dependable, non corrosive and suitable for all weather conditions.
- ◆ Easy to use water drain plug.
- ◆ Multi-port valve allows to select any of the valves/ filter operation With a simple lever action.
- ◆ Uv resistant surface.

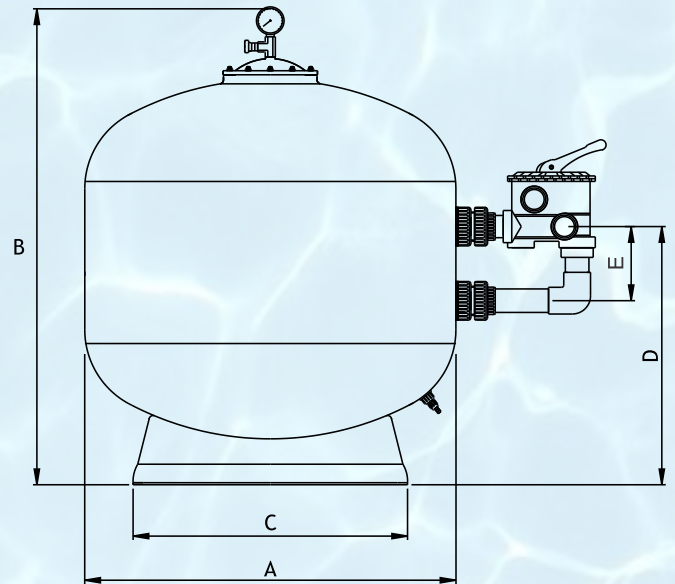
Functions: Refer To 6 - Way Multi Port Valve

Maximum working Pressure	250kpa/ 36psi/ 2.5bar or 400kpa/ 58psi/ 4.0bar
factory testing pressure	400kpa/ 58psi/ 4.0bar or 600kpa/ 86psi/ 6.0 bar
size of silica sand	0.4 - 0.8 mm
Maximum filtration velocity	50m ³ /hr/m ²
maximum water temperature	49°C(120°F)

Application

These are specialist's production of bobbin wound with e glass roving and resin isophthalic sand filters for commercial and communal swimming-pools, aquatic parks, water treatment plants, aquariums etc.

Model	Pipe Size Inch	Filtration Area m ²	Sand Required kg	Design Flow m ³ /hr
SWF-18-1.5" SM	1.5	0.15	80	7.5
SWF-21-1.5" SM	1.5	0.22	150	11
SWF-25-1.5" SM	1.5	0.32	220	15
SWF-28-1.5" SM	1.5	0.37	240	18
SWF-30-2" SM	2.0	0.44	270	22
SWF-32-2" SM	2.0	0.56	400	28
SWF-36-2" SM	2.0	0.70	470	35
SWF-36-2.5" SM	2.5	0.70	470	35
SWF-44-2" SM	2	0.93	900	46
SWF-44-2.5" SM	2.5	0.93	900	46
SWF-48-2" SM	2	0.93	900	46
SWF-48-2.5" SM	2.5	1.1	1300	55
SWF-48-3" SM	3.0	1.1	1300	55



Model	SWF 18-1.5SM	SWF 21-1.5SM	SWF 25-1.5SM	SWF 28-1.5SM	SWF 30-2SM	SWF 32-2SM	SWF 36-2SM	SWF 36-2.5SM	SWF 44-2 SM	SWF 44-2.5 SM	SWF 48-2 SM	SWF 48-2.5SM	SWF 48-3SM
A	450	550	650	700	760	860	960	960	1100	1100	1200	1200	1200
B	705	770	850	920	970	1090	1160	1160	1380	1380	1480	1480	1480
C	330	400	440	560	560	650	700	700	800	800	870	870	870
D	360	410	450	500	540	590	640	655	830	830	915	900	915
E	120	140	140	160	180	180	190	225	240	270	240	240	280

Caution: Filter is not to be used when there is negative pressure.

TM Series Top Mount Filter (TM 450 - TM 1400)

Swimming pool bobbin wound pool filters are manufactured with high grade fibre glass and isophthalic resin. These filters are heavy duty and combine the world's best filtration technology. Pool filters series are designed as high rate pool filtration system and manufactured using the highest grade of fibreglass composite material. These pool filters have high strength and are durable.

Features

- ◆ Filter made of fibreglass and polyester resin with bobbin wound.
- ◆ Top diffuser ensure even distribution of water over the top of the sand bed.
- ◆ Materials used are dependable, non corrosive and suitable for all weather conditions.
- ◆ Easy to use water drain plug.
- ◆ Multi - port valve allows to select any of the valves/ filter operation with
- ◆ A simple lever action.
- ◆ UV resistant surface

Functions: Refer To 6 - Way Multi Port Valve

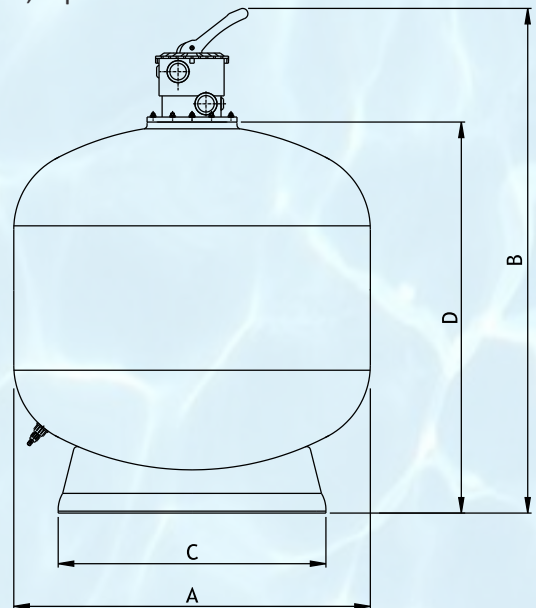
Maximum working Pressure	250kpa/ 36psi/ 2.5bar or 400kpa/ 58psi/ 4.0bar
factory testing pressure	400kpa/ 58psi/ 4.0bar or 600kpa/ 86psi/ 6.0 bar
size of silica sand	0.4 - 0.8 mm
Maximum filtration velocity	50m ³ /hr/m ²
maximum water temperature	49°C(120°F)

Application

These are specialist's production of bobbin wound with e glass roving and resin isophthalic sand filters for commercial and communal swimming-pools, aquatic parks, water treatment plants, aquariums etc.



Model	Pipe Size Inch	Filtration Area m ²	Sand Required kg	Design Flow m ³ /hr
TM 450 - 18"	1.5	0.15	80	7.5
TM 550 - 21"	1.5	0.22	150	11
TM 650 - 25"	1.5	0.32	220	15
TM 700 - 28"	1.5	0.37	240	18
TM 760 - 30"	2.0	0.44	270	22
TM 860 - 32"	2.0	0.56	400	24
TM 960 - 36"	2.0	0.70	470	31
TM 1100 - 44"	2.0	0.93	900	40
TM 1200 - 48"	2.0	1.10	1300	46
TM 1400 - 55"	2.0	1.50	1800	52



Model	TM 450 18"	TM 550 21"	TM 650 25"	TM 700 28"	TM 760 30"	TM 860 32"	TM 960 36"	TM 1100 44"	TM 1200 48"	TM 1400 55"
A	450	550	650	700	760	860	960	1100	1100	1400
B	780	840	1040	990	1090	1210	1280	1500	1500	1890
C	330	400	440	560	560	650	700	800	800	1050
D	530	600	680	750	800	920	990	1210	1210	1610

Caution: Filter is not to be used when there is negative pressure.

FSM Series Commercial Application Filter

(FSM 1200 - FSM 2500)

Swimming pool bobbin wound pool filters are manufactured with high grade fibre glass and isophthalic resin. These filters are heavy duty and combine the world's best filtration technology. Pool filters series are designed as high rate pool filtration system and manufactured using the highest grade of fibreglass composite material. These pool filters have high strength and are durable.

Features

- ◆ Filter made of fibre glass and polyester resin with bobbin wound.
- ◆ Air release valve enables easy release of trapped air during operation of the filter.
- ◆ A large access manhole on the top for ease of access to the interior.
- ◆ Material used are dependable, non corrosive and suitable for all weather condition
- ◆ Sand and water drain ports.
- ◆ Complete with pressure gauge panel.
- ◆ UV resistant surface.



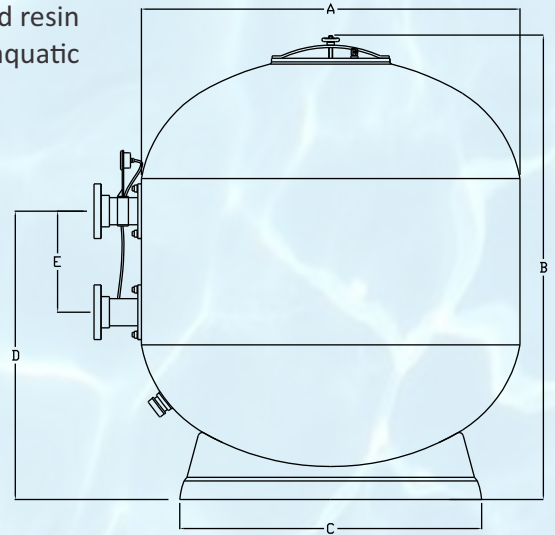
Functions: Refer To 6 - Way Multi Port Valve

Maximum working Pressure 250kpa/ 36psi/ 2.5bar or 400kpa/ 58psi/ 4.0bar
 factory testing pressure 400kpa/ 58psi/ 4.0bar or 600kpa/ 86psi/ 6.0 bar
 size of silica sand 0.4 - 0.8 mm
 Maximum filtration velocity 50m³/hr/m²
 maximum water temperature 49°C(120°F)

Application

These are specialist's production of bobbin wound with e glass roving and resin isophthalic sand filters for commercial and communal swimming-pools, aquatic parks, water treatment plants, aquariums etc.

Model	Filtration Area m ²	Valve Connection	Flow Rate m ³ /hr	Sand Required kg	Gravel Kg
FSM 1200 - 48"	1.10	3 inch 80mm	33/44	1100	300
FSM 1400 - 55"	1.52	4 inch 100 mm	46/60	1400	450
FSM 1600 - 63"	1.98	4 inch 100mm	60/80	2400	800
FSM 1800 - 70"	2.50	6 inch 150mm	75/101	3000	1000
FSM 2000 - 78"	3.11	6 inch 150mm	94/125	4500	1500
FSM 2300 - 90"	4.11	8 inch 200mm	124/164	6000	2000
FSM 2500 - 98"	4.90	8 inch 200mm	148/197	8500	3000



Model	FSM 1200 48"	FSM 1400 55"	FSM 1600 63"	FSM 1800 70"	FSM 2000 78"	FSM 2300 90"	FSM 2500 98"
A	1200	1400	1600	1800	2000	2300	2500
B	1460	1700	1950	2150	2400	2700	2950
C	900	1020	1270	1430	1600	1830	2000
D	900	1050	1230	1350	1530	1700	1900
E	350	350	425	500	500	650	650

Note: Flow rate is calculated at a specific velocity of 30m³/hr/m² | Flow rate is calculated at a specific velocity of 40m³/hr/m²

BECKEN

Product Description

Becken is an Integrated swimming pool filter has strong and sturdy structure and is compact and unique in all aspects. The unit is hung on any one wall of the swimming pool. There is no necessity for any other further equipment like Skimmers, Balancing Tanks, Filter Room or Plumbing System for water filtration and circulation. It saves 100% water reduces 70% chemical consumption in comparison to other filtration system.



Features

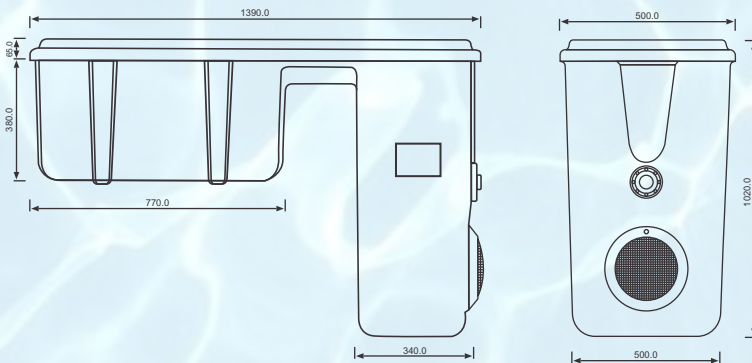
- ◆ Complete Filtration System
- ◆ Complete cyclic system
- ◆ High efficiency Disinfection system
- ◆ LED lighting system
- ◆ High Quality Filtration Bag
- ◆ Cleaning system

Why Becken?

- ◆ Easy to Install
- ◆ Aesthetic look
- ◆ No need for any piping system
- ◆ Frp body with external smooth finish
- ◆ UV stabilized body
- ◆ Easy to clean

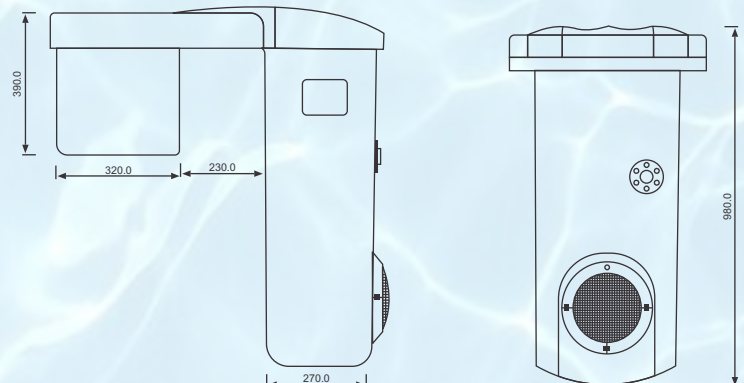
Application

It is used for the excellent filtration process to make the swimming pool water crystal clear and clean effortlessly.



MODEL	SIC-170
DIMENSION	1390LX580WX1020H
FILTER PUMP	01 NO/ 2.0 HP
POWER SUPPLY	220V/50HZ
FILTER BAG	02 NOS
FLOW RATE	17.0 M ³ /Hrs
UNDER WATER LIGHT	100WX 12V 01 NO
SWIM JET	01 NO
COLOUR	WHITE
MOC	FRP EXT. SMOOTH FINISH

MODEL	SIC-70
DIMENSION	920LX490WX980H
FILTER PUMP	01 NO/ 1.0 HP
POWER SUPPLY	220V/50HZ
FILTER BAG	01 NOS
FLOW RATE	7.0 M ³ /Hrs
UNDER WATER LIGHT	100WX 12V 01 NO
SWIM JET	01 NO
COLOUR	WHITE
MOC	FRP EXT. SMOOTH FINISH



FRP Prefabricated Pool

Product Description

Fibreglass Pool offered comes in quality construction finish and provides for lasting service usage support. The Prefab pool panels is made up of Fibre reinforced Plastics. In prefabricated pool you just need to do Excavation, Soling & PCC. Panels will assemble on site and form a pools structure instead of tiles they can apply Geo Textile and Membrane. It can customize your pool to any aesthetic with water features, tanning ledges, tiles, and colorful lights and finishes.



Features

- ◆ Feature tough fibre glass exteriors that is 100% waterproof
- ◆ Non-corrosive & maintenance-free usage
- ◆ Requiring soapy water for normal cleaning
- ◆ Easily withstand harsh elements
- ◆ Offering long-lasting, protective finish
- ◆ Resistant to fading, scratching, chipping and UV light.

Why Prefab pool?

- ◆ High performance based FRP swimming pools
- ◆ Light weight and extremely durable in usage
- ◆ Safe for outside pressure
- ◆ Have certain flexibility.

Application

To construct any size any shape swimming pool for commercial. Used in swimming pools, water treatment, textiles, hotels, clubs, resorts, farm houses and water parks.

Desired Qualities of Inground Pools	Fiber glass	Vinyl Liner	Concrete
Low maintenance	★★★★★	★★★★	★★★
Speed of installation	★★★★★	★★★★	★★★
Low chemical usage	★★★★★	★★★★	★★★
Smoothness of finish	★★★★★	★★★★	★★★
Durability	★★★★★	★★★★	★★★
Low lifetime cost of ownership	★★★★★	★★★★	★★★
Energy efficiency	★★★★★	★★★★	★★★
Attractive and elegant look	★★★★★	★★★★	★★★

Desired Qualities of Inground Pools	Fiber glass	Vinyl Liner	Concrete
Beauty of interior finish	★★★★★	★★★★	★★★
Factory controlled quality	★★★★★	★★★★	★★★
Number of available features	★★★★★	★★★★	★★★
Resale value	★★★★★	★★★★	★★★
Compatibility with salt water system	★★★★★	★★★★	★★★
Low initial cost	★★★★★	★★★★	★★★
Customized shape and size	★★★★★	★★★★	★★★

SHAPE	WATER CAPACITY						
Rectangular	5800 liters	15600 litres	17500 liters	46000 liters	54000 liters	48000 liters	78000 liters
FILTER	11000 litres	97000 liters	35000 liters	39000 liters	62000 liters	58000 liters	87000 liters
Mini Pipeless filter	7700 liters	19500 liters	40000 liters	46000 liters	70000 liters	67000 liters	97000 liters



Sainath Industrial Corporation

UNIT I :- Plot No. D3-21, Bicholim Industrial Estate, Bicholim, Goa - 403529.

UNIT II :- Plot No. 4, Phase III, Honda Industrial Estate, Honda, Sattari - Goa 403530.

+91 832 236 3858 | +91 982 213 2061

sainath_indu@rediffmail.com | sainath.indu@gmail.com

www.sicgoa.com

Drink Pure, Think Pure